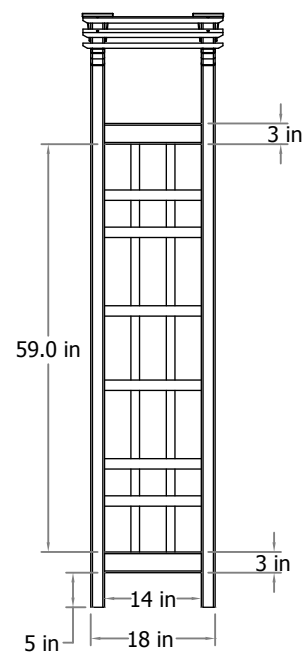
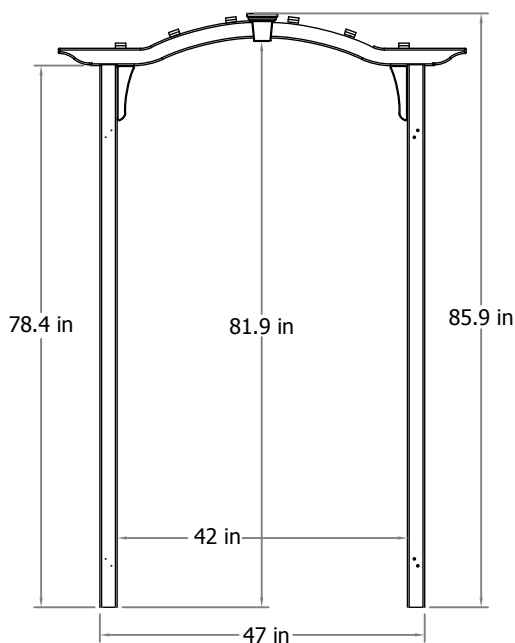
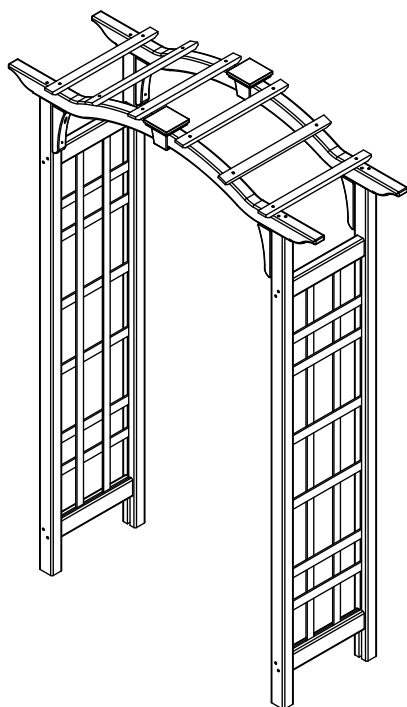


ASSEMBLY INSTRUCTIONS

Eden™

Enduring Garden Architecture
www.edenarbors.com

The Westwood Arbor

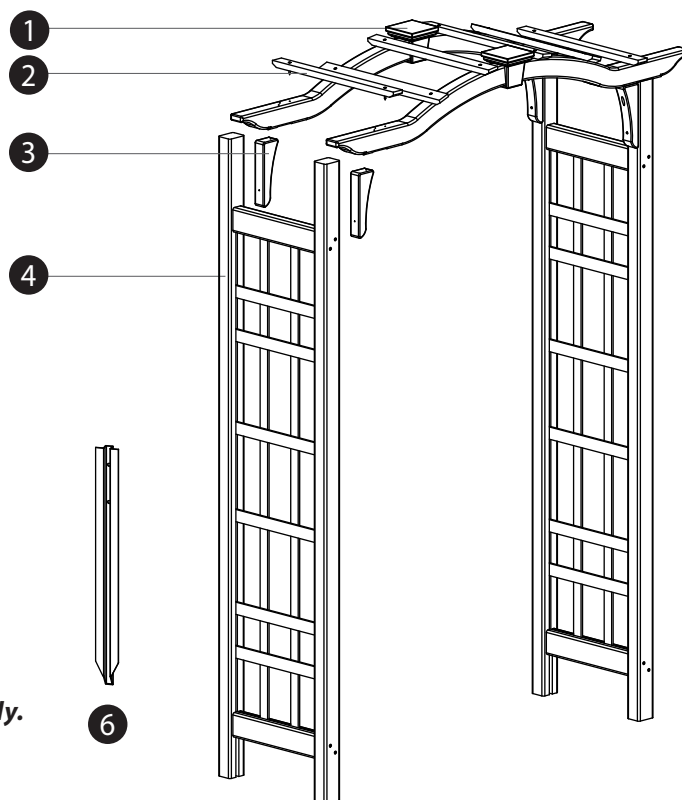


Please read through before starting assembly.

Check Box for These Contents

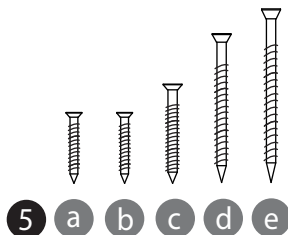
In the event of missing or defective parts please call our customer service dept. at **1 800 282 9346, ext #20** (Mon. to Fri. 8:00 AM to 4:00 PM EST).

1. Preassembled Arch (2)
2. Arch Rafters (6)
3. Braces (4)
4. Preassembled Side Panels (2)
5. Hardware
 - a) 1 1/2" Wood Screws (12) To attach rafters to arch
 - b) 1 1/2" Wood Screws (8) To attach ground stakes to posts
 - c) 2" Wood Screws (4) To attach braces to arbor posts
 - d) 3" Wood Screws (4) To attach braces to swoop top arch
 - e) 3 1/2" Wood Screws (8) To attach swoop top arches to posts
6. Ground Stakes (4)



Tools You Will Need

- Cordless Drill
- Tape Measure
- Level
- Short Ladder
- Shovel



Not to Scale

General Information

Read Instructions through carefully before beginning assembly.

- When assembling components, place on a non-abrasive surface (i.e. shipping box) to avoid scratching.
- We recommend an area approx 10'x 8' for unobstructed assembling.
- You should not need to use excessive force when assembling components.

STEP ONE

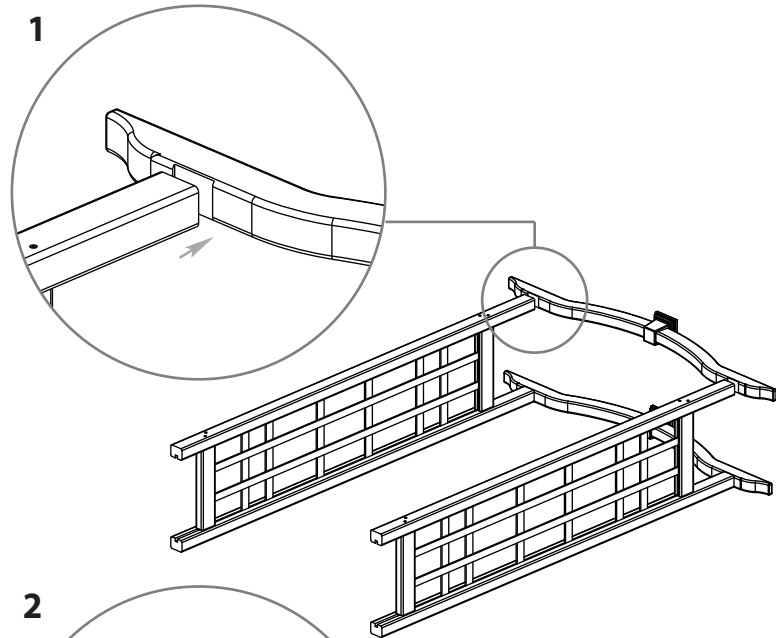
Connect Arch System to Side Panels

1

Lay down the side panels and arches as shown aside. Align the notch on the underside of the arch as shown. Make sure the side panels and arch are flush to each other.

2

Fasten the arches to the posts using the provided 3½" screws (two per post).



STEP TWO

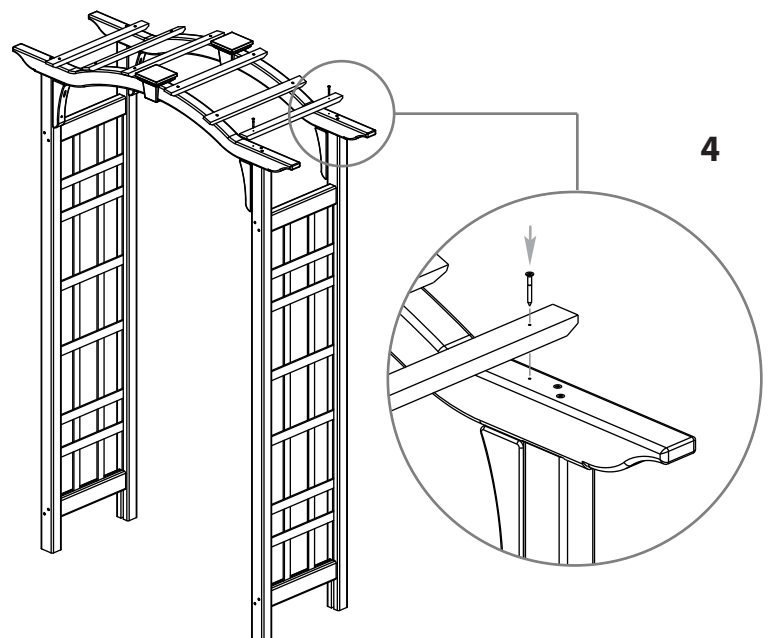
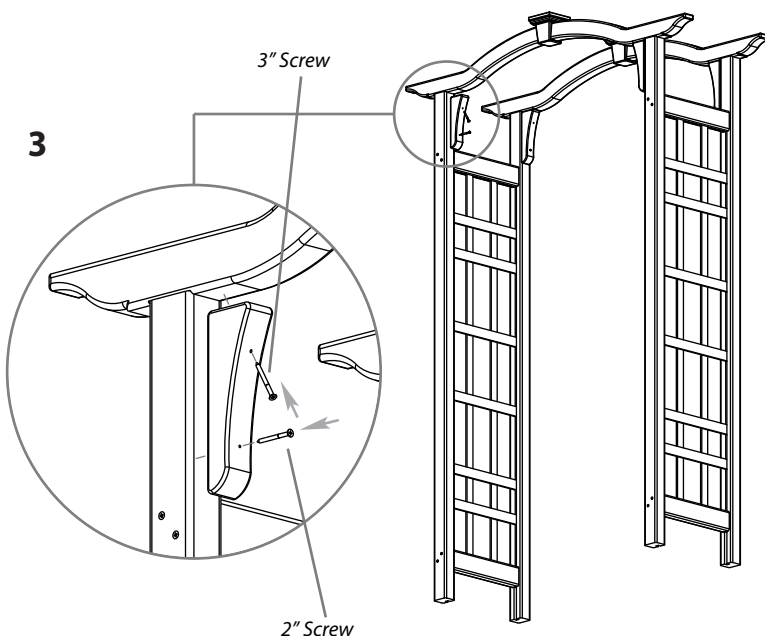
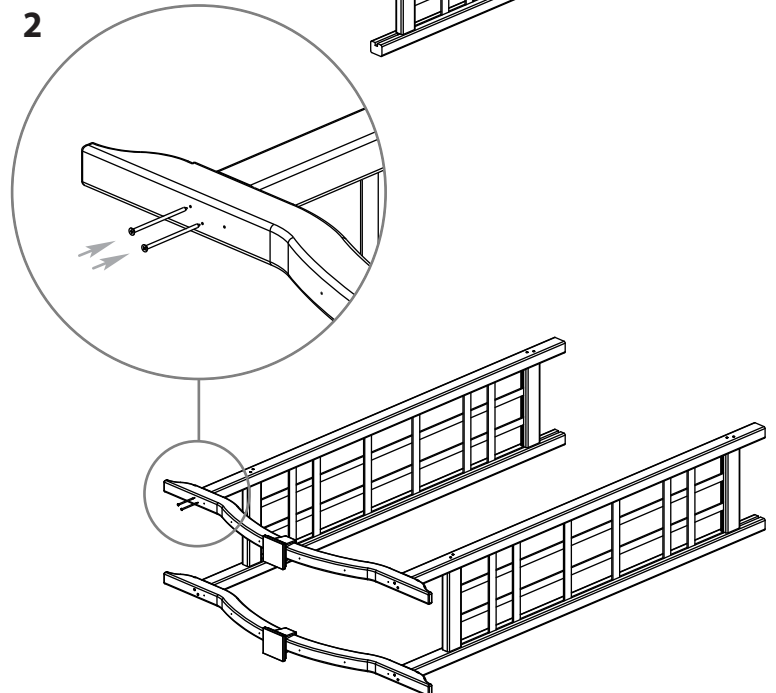
Attach Braces and Rafters

3

Stand arbor upright, place and align the braces to the posts and arches. Ensure that the faces of the posts and braces are flush to each other. Fasten the brace to the post using the provided 2" screws; fasten the brace to the swoop top arch using the provided 3" screws as shown below.

4

Fasten the six arch rafters onto the arches using two 1½" screws per rafter. Align to pre-drilled holes to ensure proper spacing.



STEP THREE

Attach Ground Stakes

Arbors must be well secured to prevent tipping over from wind load etc. We have provided four ground stakes for securing the arbor.

If you are installing your arbor on concrete or a wood deck, visit your hardware store to purchase the appropriate galvanized bracketing hardware.

Fasten all four ground stakes to the base of the posts using the provided 1 1/2" screws (2 screws per anchor) as shown aside.

A Temporary Arbor Installation

For a temporary arbor installation, carefully lift the arbor and place into final location. Push the anchors into the ground by pushing down on the posts. Do not step on the side panel bottom rail as the rail is not meant to carry a load. If the soil is hard, you may need to excavate a 4 inch holes prior, or pour some water to soften the ground.

Ensure the arbor opening is set at 42" and that the arbor is plumb and level.

B Permanent Arbor Installation Into Earth For Permanent Installation STRONGLY RECOMMENDED

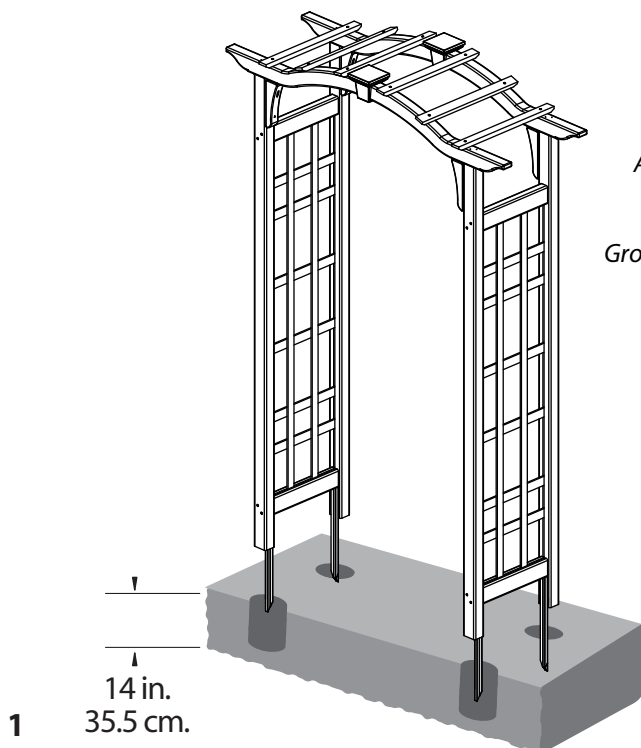
1

For a permanent installation, measure and dig four 8" holes, 14" deep where the ground stakes will be located. The centers of the holes should be a rectangular pattern with dimensions of 44 1/2" x 16".

2

Fill excavated holes with mixed concrete and carefully lift arbor into place. Plumb and level the arbor.

Note: The posts should not be set in the concrete.

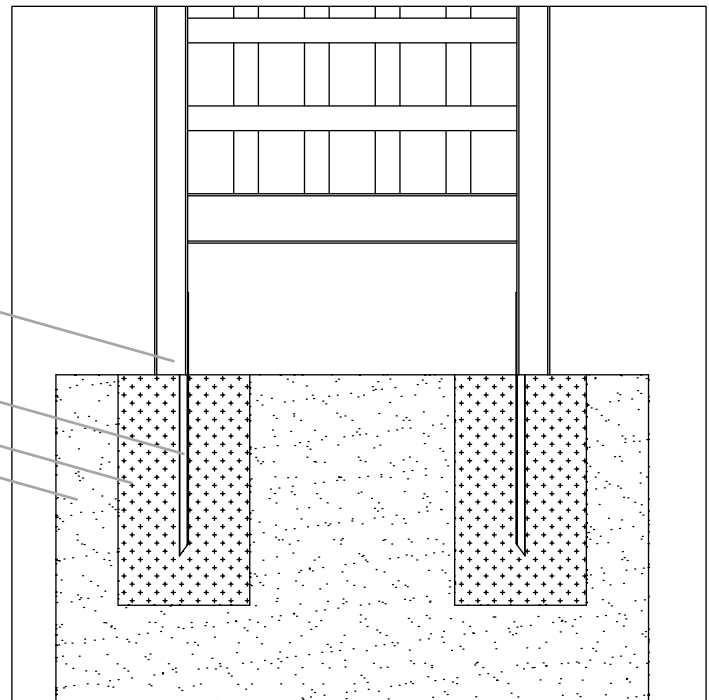


Arbor Post

Ground Stake

Concrete

Ground



Eden™

Enduring Garden Architecture