

ASSEMBLY INSTRUCTIONS

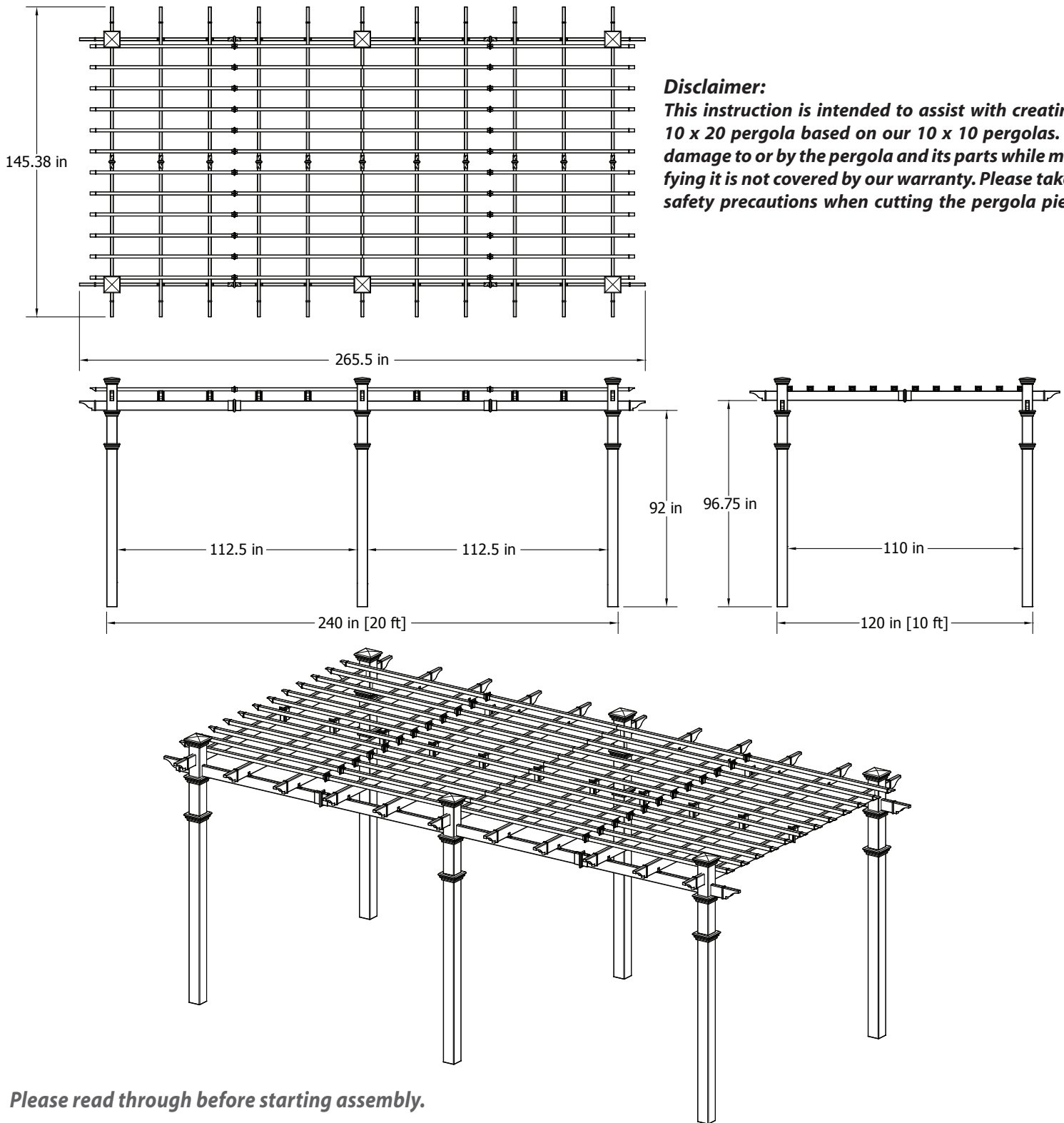
10 x 20 Pergola

(Using two 10 x 10 Flat Top Pergolas)

Eden™

Enduring Garden Architecture

www.edenarbors.com



Please read through before starting assembly.

Before Starting

Because our pergolas come in kit form, some parts will be discarded when joining the two 10 x 10 flat top pergola to create a 10 x 20 pergola. Please use this set of instructions along with the one that came with your 10 x 10 pergola.

In the event of missing or defective parts please call our customer service dept. at **1 800 282 9346, ext #20** (Mon. to Fri. 8:00 AM to 4:00 PM EST).

Additional Tools You Will Need

- Saw with fine tooth blade. A chop saw is preferred for straight cuts, but any saw will do.

Overview

In order to attach the two pergolas together, the following will be required:

1

Cut four beams down by 5 1/2 inches.

2

Cut the shade slats by 7 1/2 inches.

STEP ONE

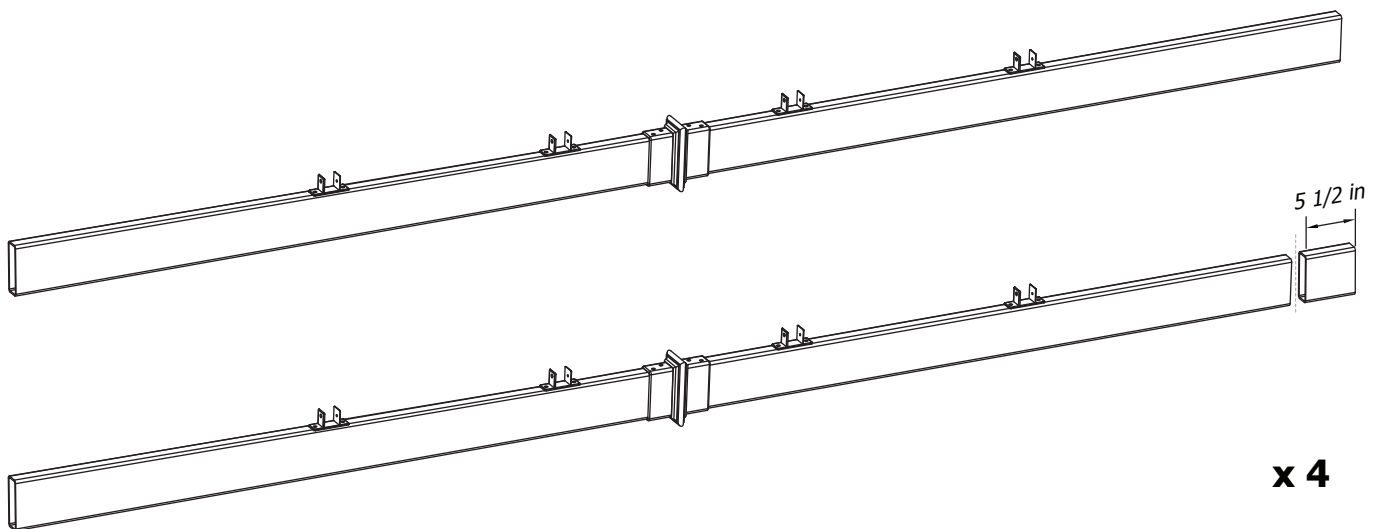
Cutting the four beams.

A

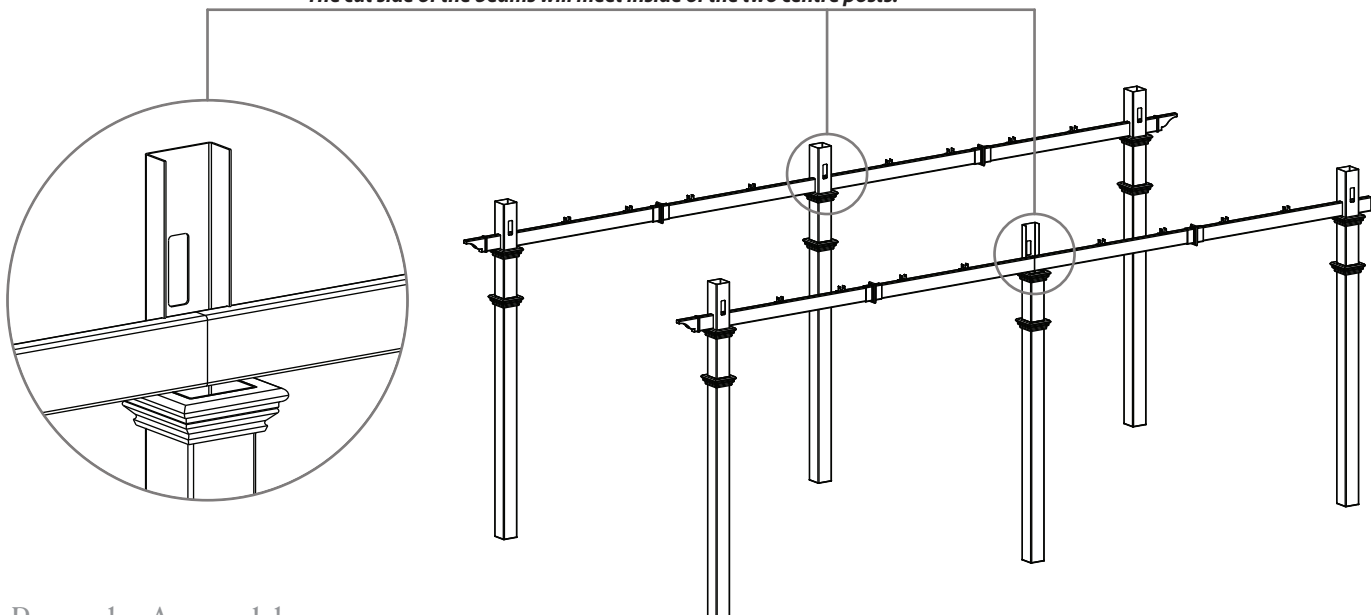
Follow the 10 x 10 flat top pergola instructions, step four, page 10. Once completed, the beam assembly would look like the image below.

B

Cut 5 1/2 inches off the **ONE END ONLY**. This end will meet in the inside of the centre post of the 10 x 20 pergola. A fine tooth blade saw should be used. Do not cut the steel insert if able.



The cut side of the beams will meet inside of the two centre posts.



STEP TWO

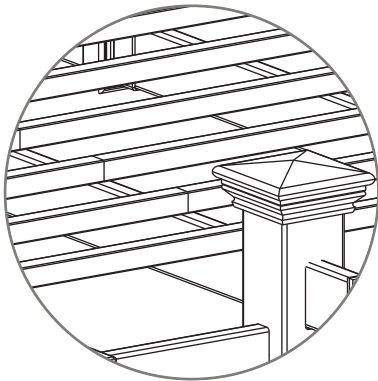
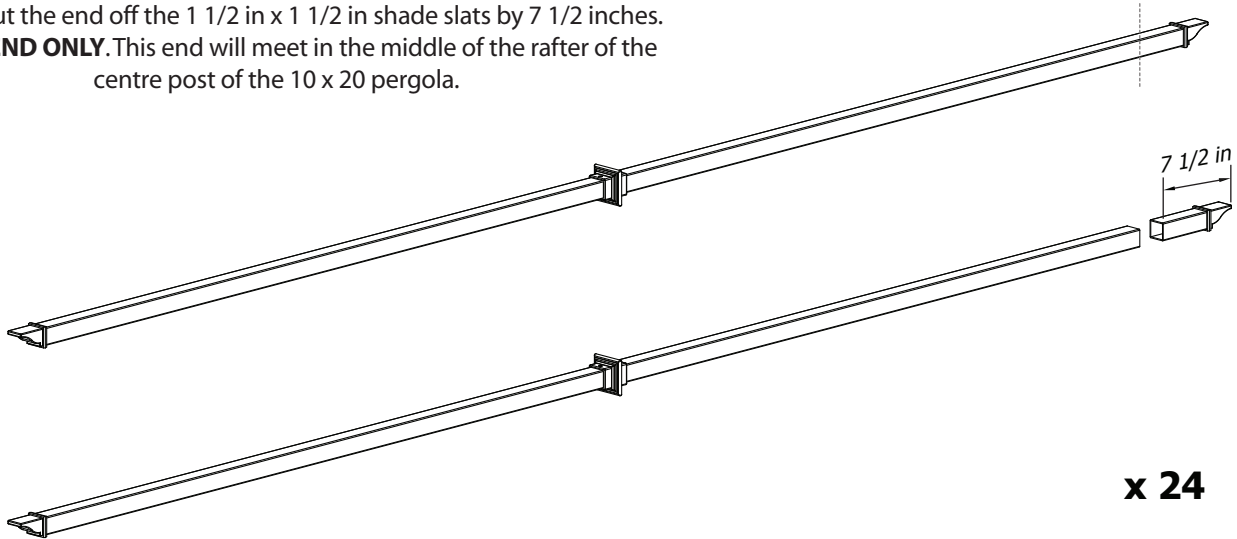
*Eden*TM

Enduring Garden Architecture

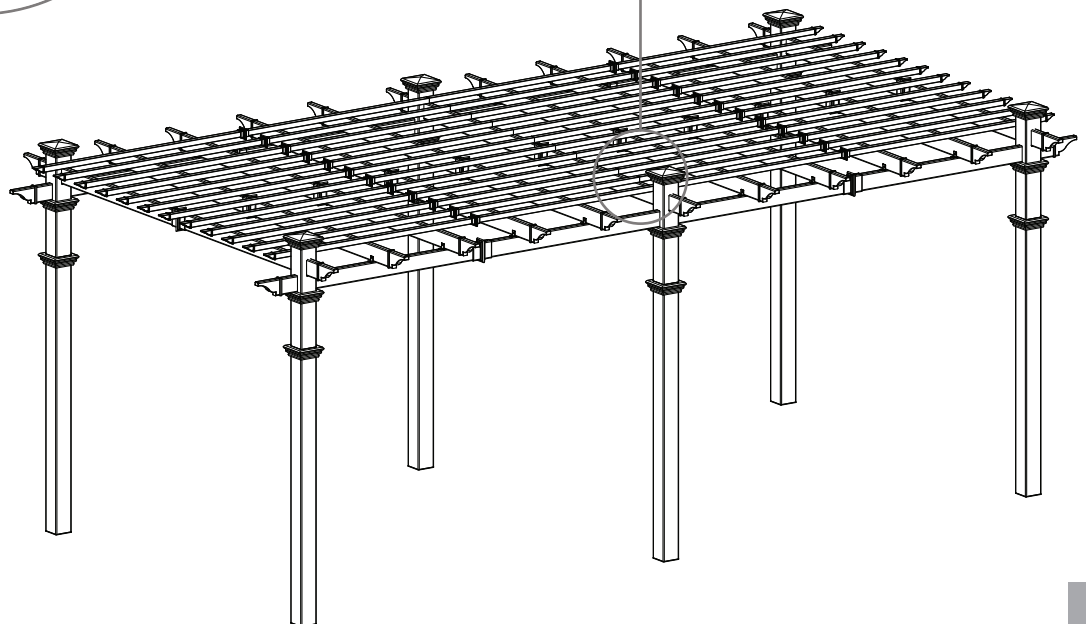
Cutting the shade slats.

A

Before completing step eight of the 10 x 10 flat top pergola instruction (pg 14), cut the end off the 1 1/2 in x 1 1/2 in shade slats by 7 1/2 inches. Cut **ONE END ONLY**. This end will meet in the middle of the rafter of the centre post of the 10 x 20 pergola.



The cut side of the shade slats will meet on top of the rafters

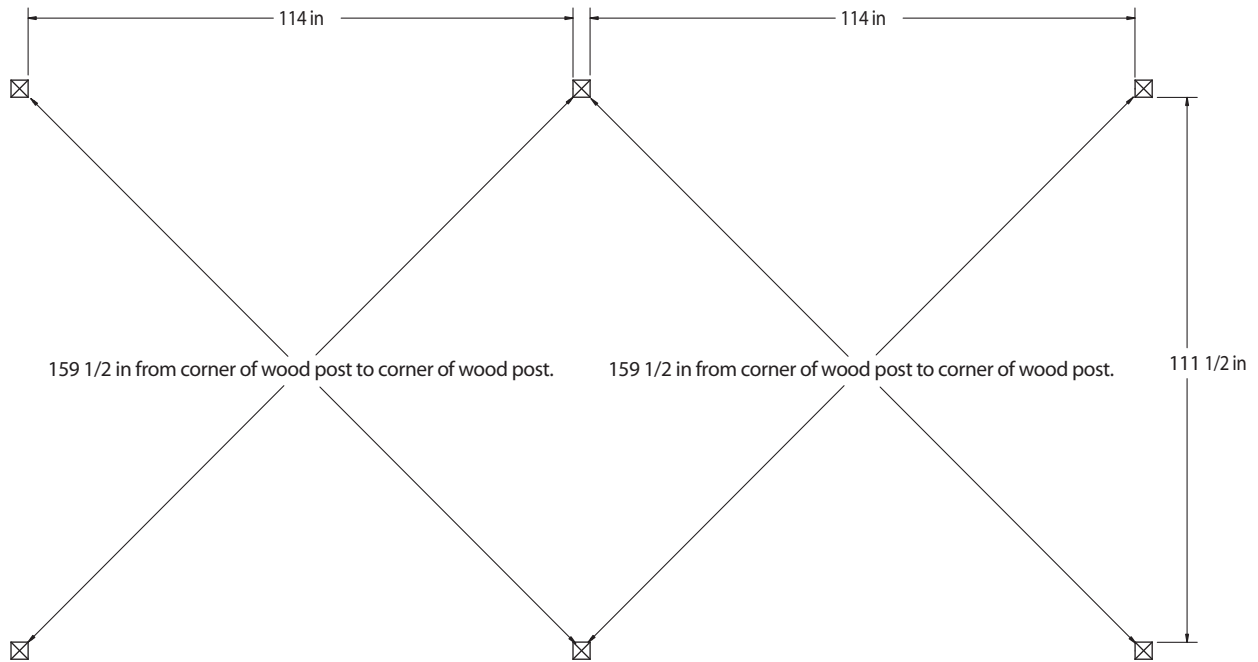


WOOD POST SPACING

If you are using wooden posts for installation into the ground, use the diagram below for post spacings.

This correlates to the 10 x 10 flat top pergola instruction page 7

Overhead View



BOLT DOWN BRACKET SPACING

If you are using bolt down brackets for installation, use the diagram below for spacing.

This correlates to the 10 x 10 flat top pergola instruction page 8

